

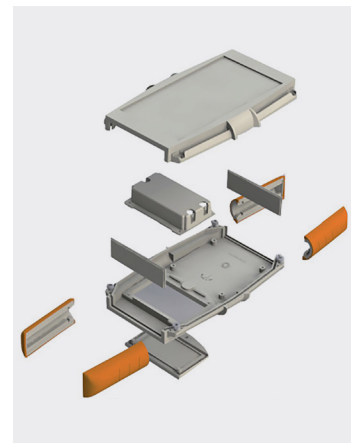
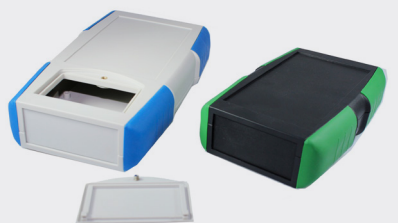
66 series rubber corner handheld enclosures

Product overview

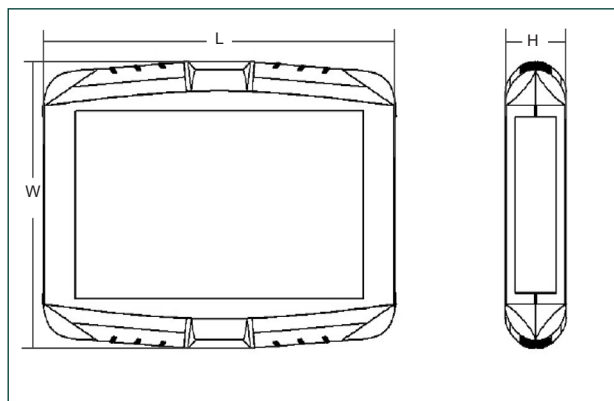
Innovative unique design for quick and easy assembly. Features soft-grip corners for added protection and ergonomic feel.

- Moulded in high impact ABS, UL94-V0
- Screwless assembly via four soft-grip corners
- Optional retaining screws for added security
- Battery compartment lid with M3 retaining screw
- Recesses in lid and base for membrane keypads or overlays
- PCB pillars in lid and base
- 66 series has been designed to meet the requirements of IP54 or additionally, IP65 with the optional gasket accessory

CHH66



SPECIFICATION	
Materials	Base and lid, front and back panels high impact ABS, UL94-V0. Soft-grip corners TPE coated polypropylene
Operating temperature	Resistant to temperatures of up to 80°C
Protection class	66 series has been designed to meet the requirements of IP54 or additionally, IP65 with the optional gasket accessory
Standard colours	Lid, base and panels light grey or black Soft-grip corners red, blue, yellow, green, orange, grey or black Custom colours available to order
Standard unit includes	25mm high Lid, base and panels 35mm high Lid, base and panels Battery door and retaining screw Soft-grip corners and battery compartment supplied separately
Options	Soft-grip coners and battery compartments supplied separately



BLACK	LIGHT GREY	LENGTH	WIDTH	HEIGHT	STYLE
CHH661NBK	CHH661NGY	145mm	95mm	25mm	-
CHH661BBK	CHH661BGY	145mm	95mm	25mm	Battery door
CHH662NBK	CHH662NGY	145mm	95mm	35mm	-
CHH662BBK	CHH662BGY	145mm	95mm	35mm	Battery door
CHH663NBK	CHH663NGY	185mm	110mm	25mm	-
CHH663BBK	CHH663BGY	185mm	110mm	25mm	Battery door
CHH664NBK	CHH664NGY	185mm	110mm	35mm	-
CHH664BBK	CHH664BGY	185mm	110mm	35mm	Battery door
CHH665NBK	CHH665NGY	200mm	120mm	25mm	-
CHH665BBK	CHH665BGY	200mm	120mm	25mm	Battery door
CHH666NBK	CHH666NGY	200mm	120mm	35mm	-
CHH666BBK	CHH666BGY	200mm	120mm	35mm	Battery door

* soft grip corners sold separately

KEY FEATURES

High impact ABS, UL94-V0 | Battery compartment | PCB pillars



ACCESSORIES

Soft-grip corners



PART NO.	COLOUR	DESCRIPTION	PART NO.	COLOUR	DESCRIPTION
CHH66CIBL	Blue	To fit 25mm high cases	CHH66C2BL	Blue	To fit 35mm high cases
CHH66CIGR	Green	To fit 25mm high cases	CHH66C2GR	Green	To fit 35mm high cases
CHH66CIRD	Red	To fit 25mm high cases	CHH66C2RD	Red	To fit 35mm high cases
CHH66CIOR	Orange	To fit 25mm high cases	CHH66C2OR	Orange	To fit 35mm high cases
CHH66CIBK	Black	To fit 25mm high cases	CHH66C2BK	Black	To fit 35mm high cases
CHH66CIYL	Yellow	To fit 25mm high cases	CHH66C2YL	Yellow	To fit 35mm high cases
CHH66CIGY	Grey	To fit 25mm high cases	CHH66C2GY	Grey	To fit 35mm high cases

Battery compartments



PART NO.	DESCRIPTION	COLOUR
CHHBAT1BK	Clip-in battery compartment PP3	Black
CHHBAT1GY	Clip-in battery compartment PP3	Grey
CHHBAT2BK	Clip-in battery compartment AA	Black
CHHBAT2GY	Clip-in battery compartment AA	Grey

66 Series IP65 gasket

- IP65 protection



PART NO.	DESCRIPTION
CHH66GSKT	66 Series IP65 gasket

292
UNIVERSAL
ENCLOSURES

318
HEAVY DUTY
AND ELECTRICAL
ENCLOSURES

342
DESKTOP AND
INSTRUMENT
CASES

348
DEVELOPMENT
BOARD
ENCLOSURES

367
ROOM SENSOR
ENCLOSURES

370
CUSTOM SIZED
ENCLOSURES

PLASTIC ENCLOSURES